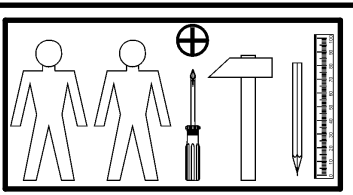
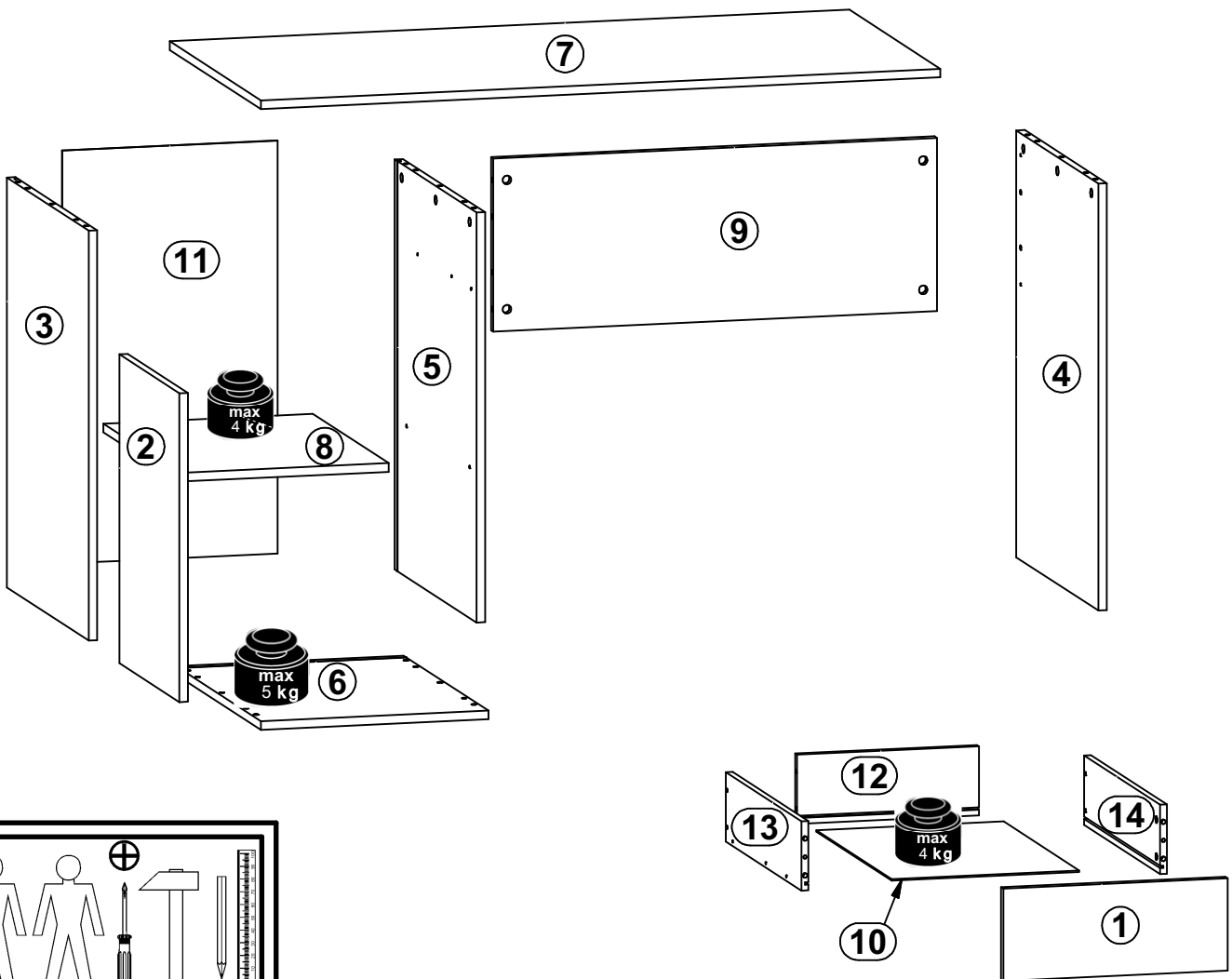
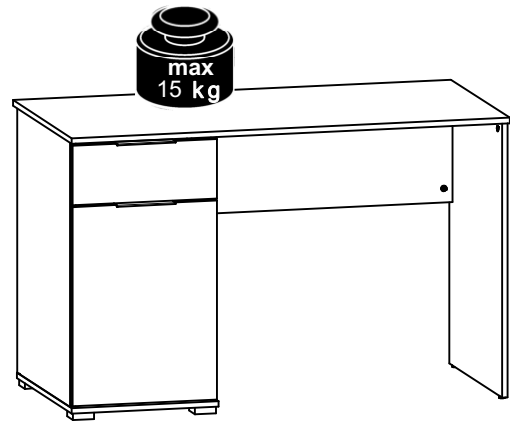
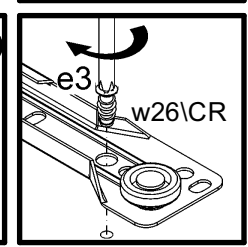
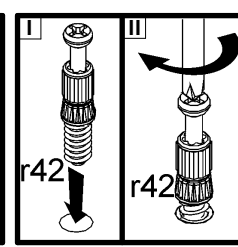
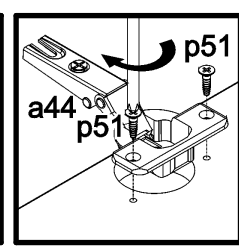
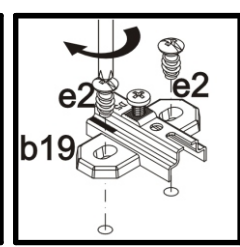
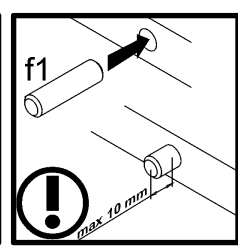
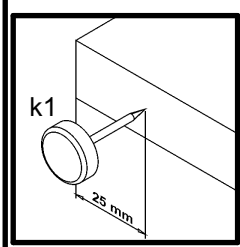
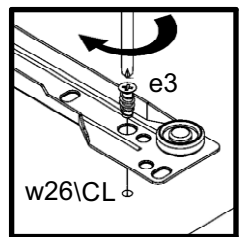
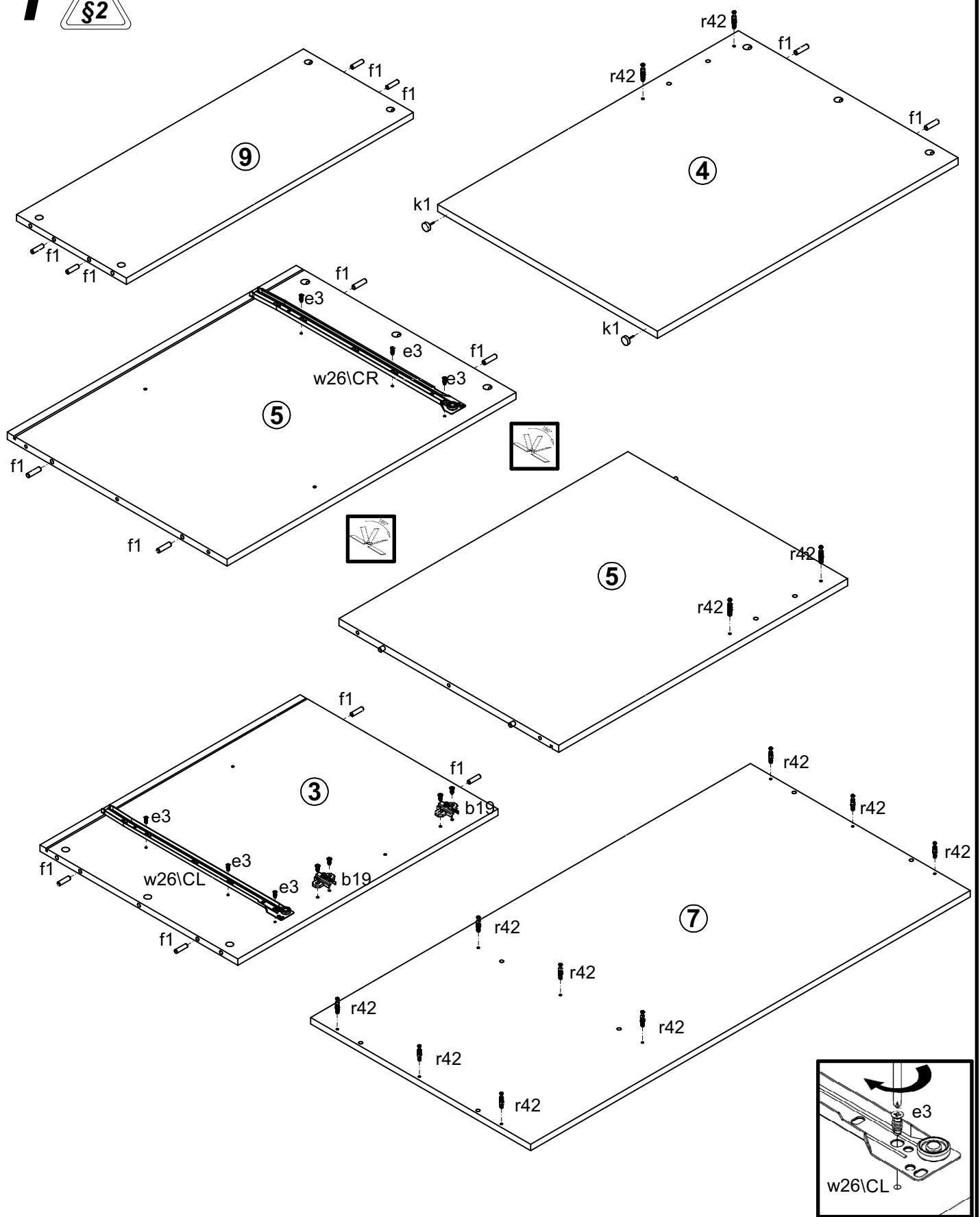


A	B	C	D	
1	S383-00014	160	396	3/3
2	S383-00015	535	396	3/3
3	S383-11019	710	540	1/3
4	S383-11020	739	540	1/3
5	S383-11021	710	540	1/3
6	S383-22015	402	559	2/3
7	S383-22016	1200	600	2/3
8	S383-33011	368	500	1/3
9	S383-44001	782	300	2/3
10	S383-99007	321	498	1/3
11	S383-99009	715	378	1/3
12	ZP-5512	311	120	1/3
13	BP-509	500	120	1/3
14	BP-510	500	120	1/3

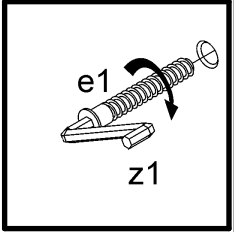
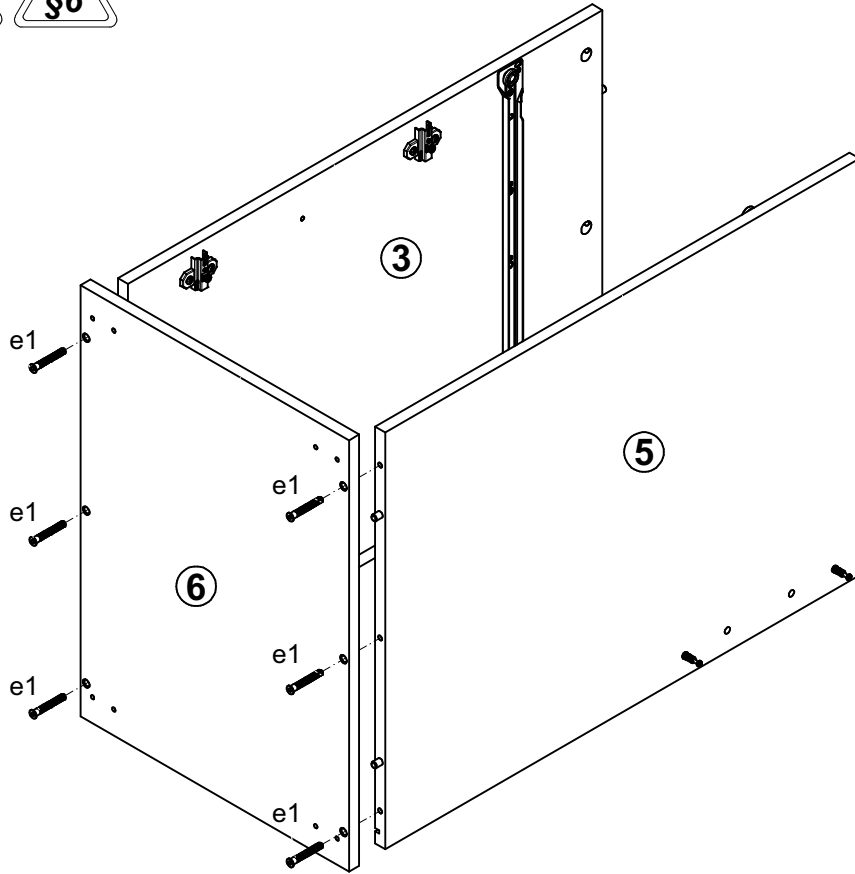


2x a44	2x b19	2x c409 128mm	4x d1 Ø5x17 mm	6x e1 Ø7x50 mm	6x e19 Ø5x9 mm	14x e3 Ø6x13 mm	14x f1 Ø8x30 mm	4x f25 Ø6.5x40 mm
2x f9 Ø6x30 mm	2x k1	4x k82\1	4x k82\2	8x l2	4x o21 silikon	4x p51 Ø3.5x15 mm	4x p93 Ø4x13 mm	17x r1 Ø15x12 mm #16
17x r42 20\11	1x w26\CL 500 mm	1x w26\CR 500 mm	1x w26\DL 500 mm	1x w26\DR 500 mm	6x s2 Ø16	1x z1 4 mm		

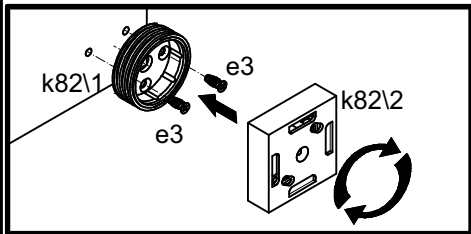
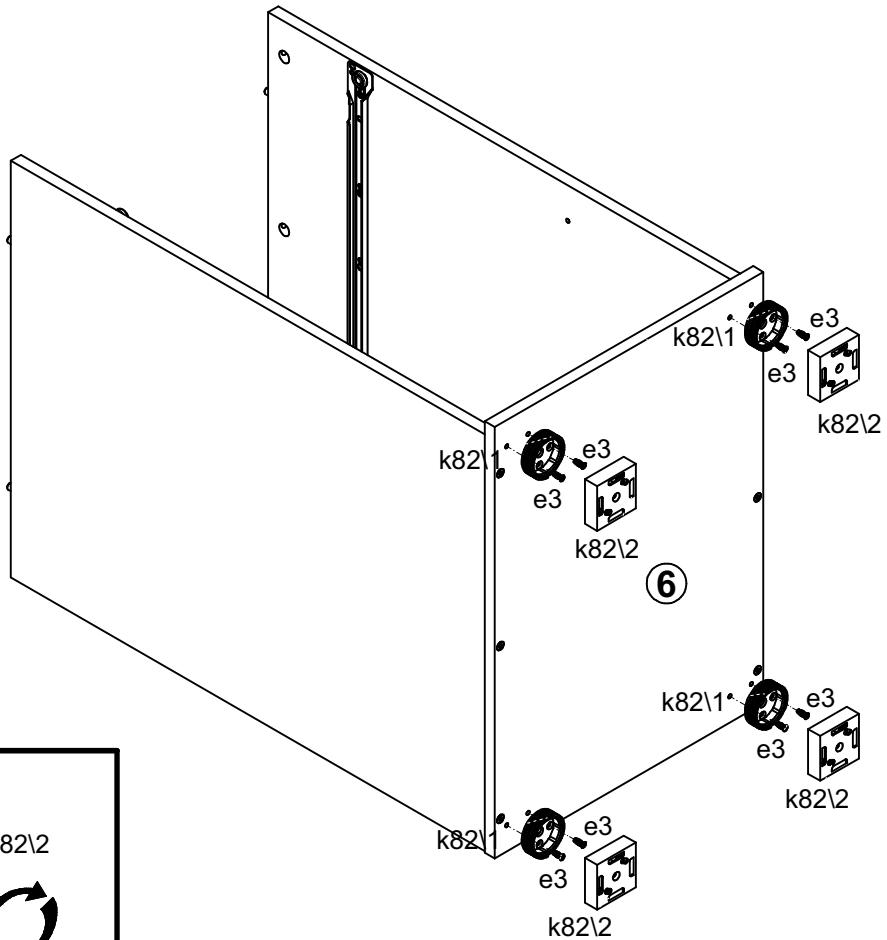
1



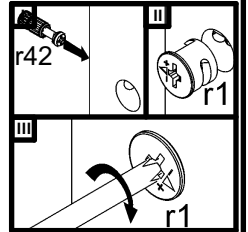
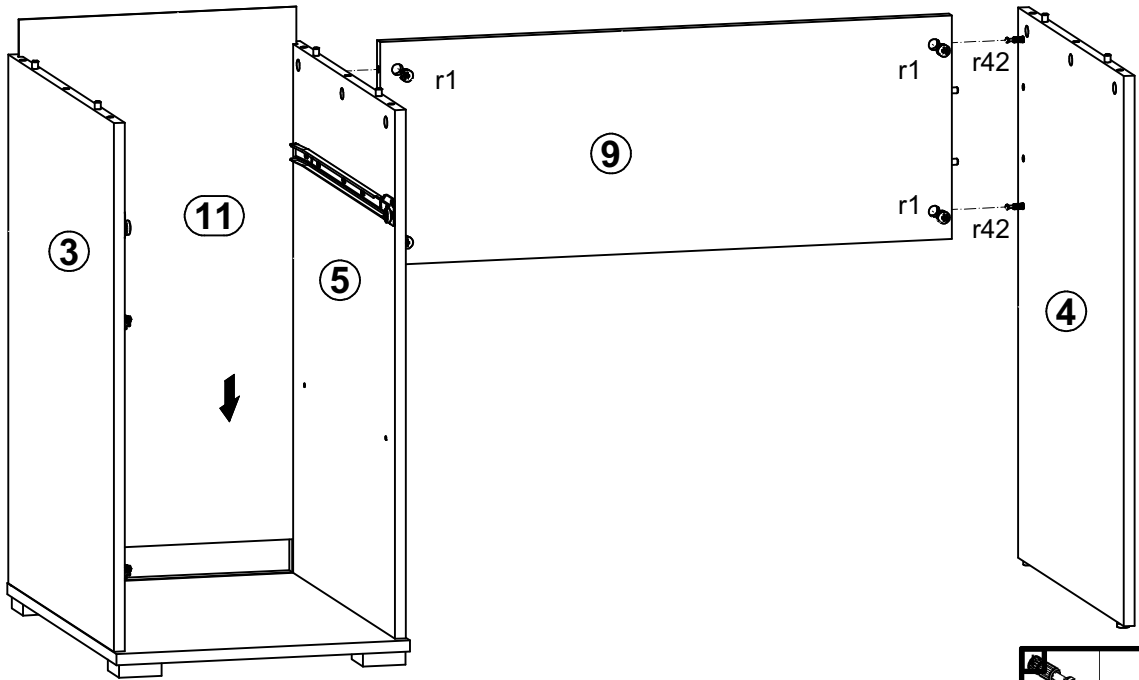
2



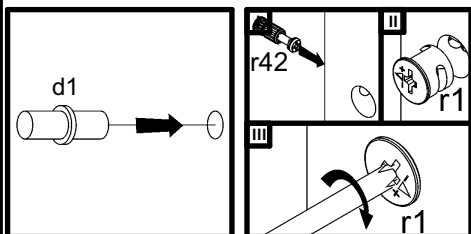
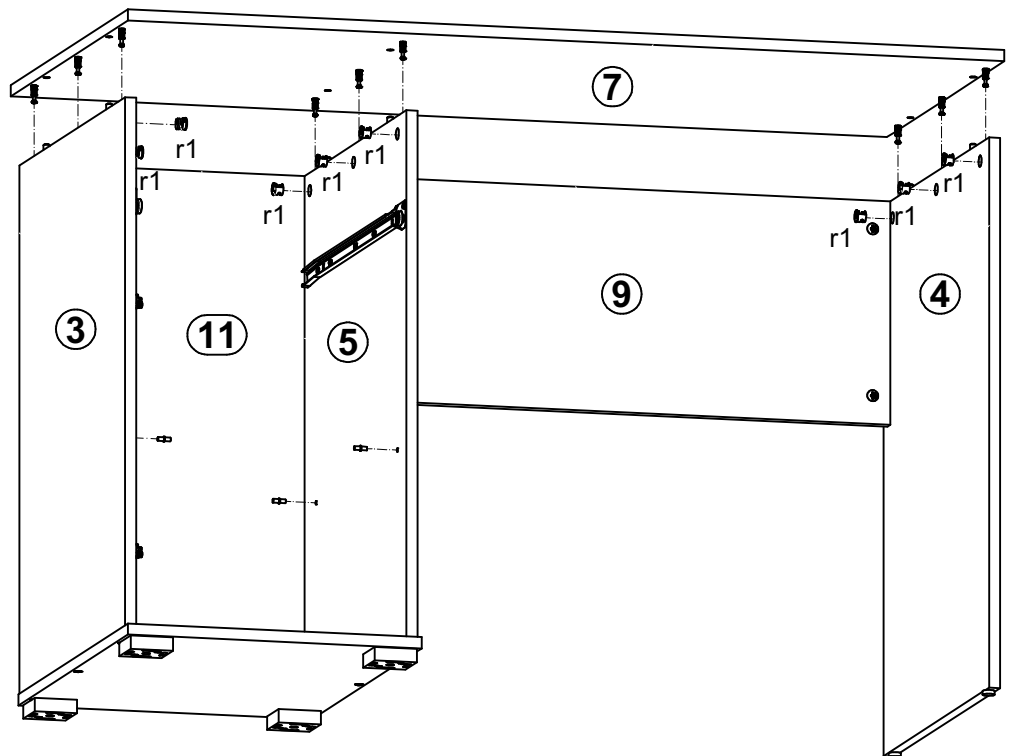
3



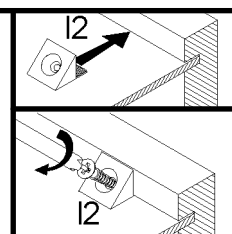
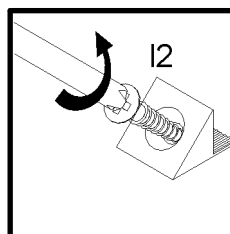
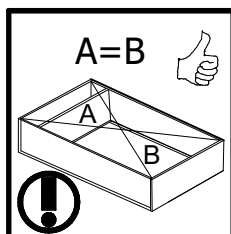
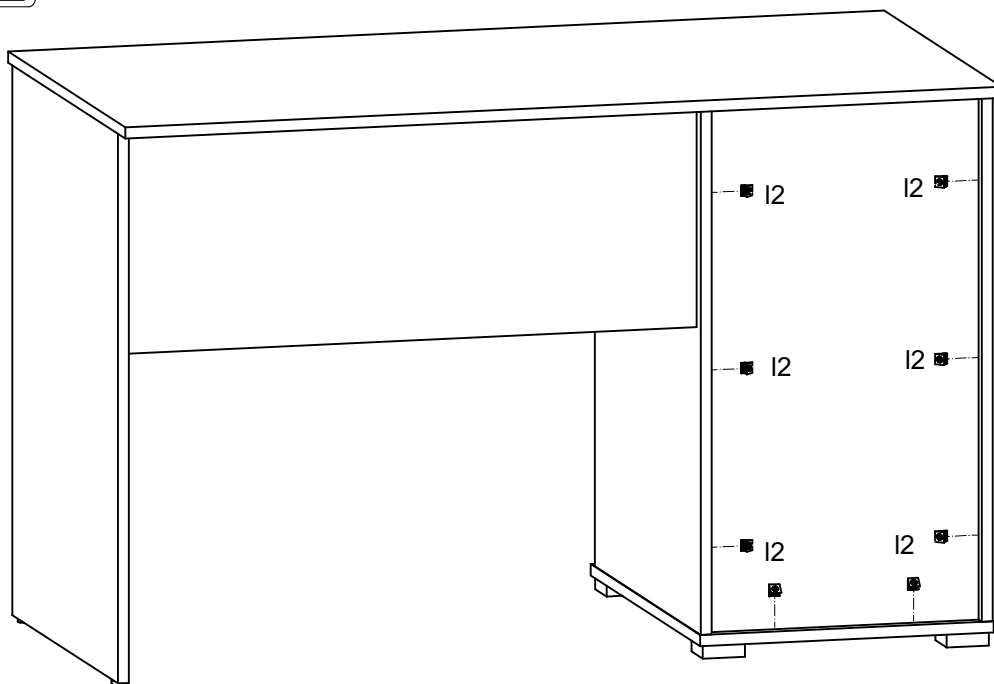
4 



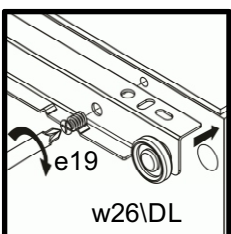
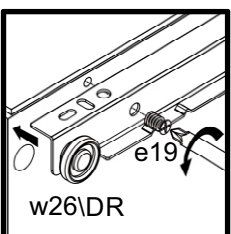
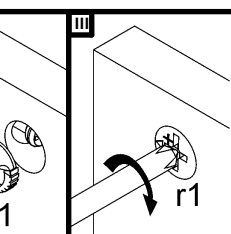
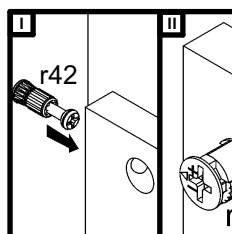
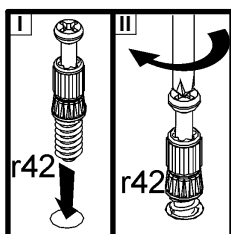
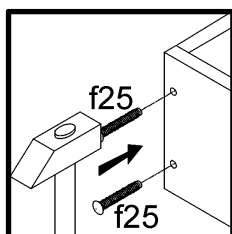
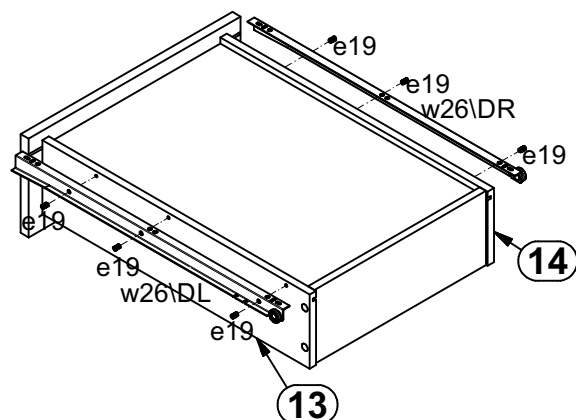
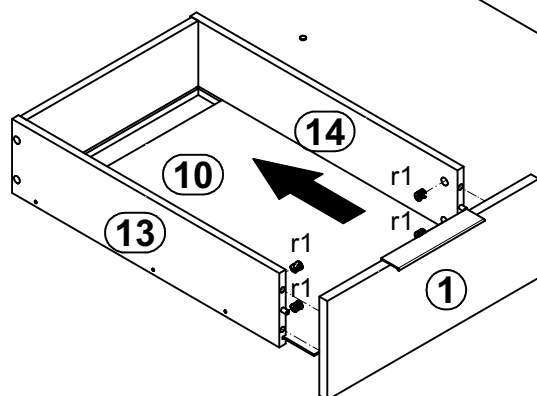
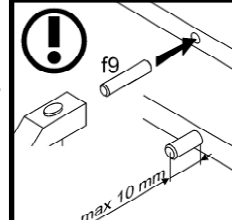
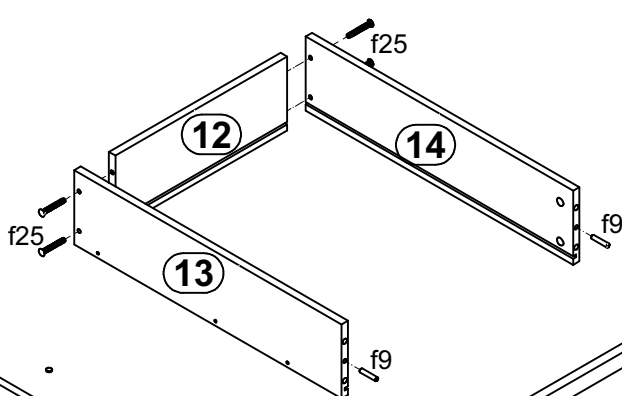
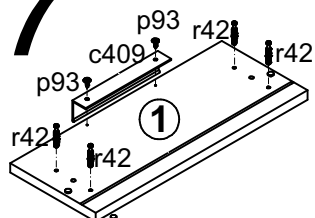
5  



6



7



8

